

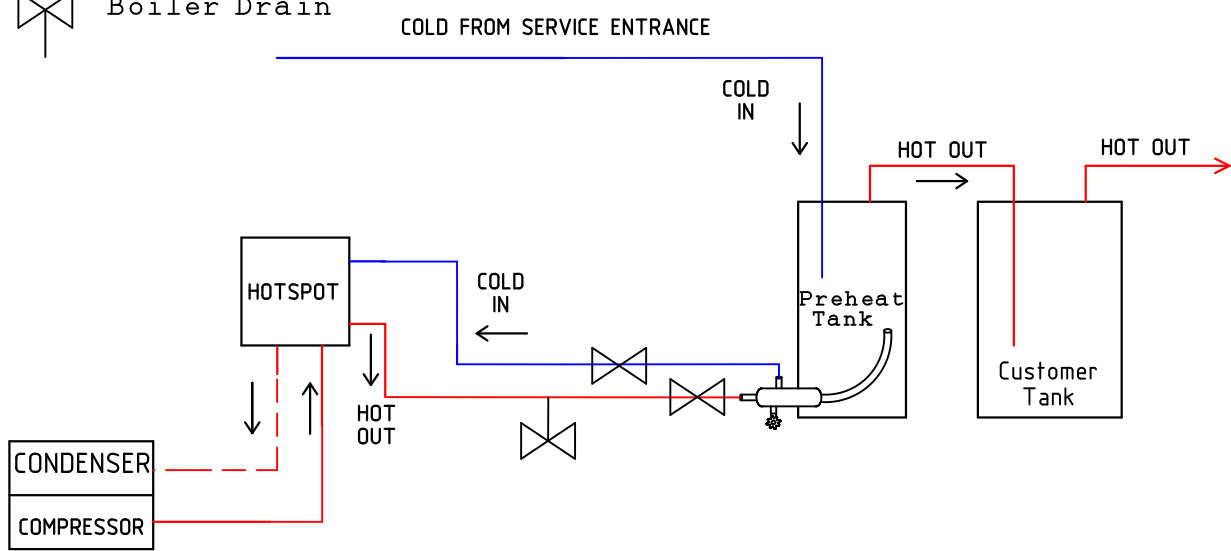


Valve Schedule

-  Isolation Valve
-  Boiler Drain

REVISION HISTORY			
REV	DESCRIPTION	DATE	APPROVED
A	Single HE with Storage, CustomerTank and TT	1/12/2011	



DESIGNED BY	JHW		
DRAWN BY	JHW		
CHECKED BY	PJS		
APPROVED BY	MES		
OTHER APPROVALS			
CAD FILE NAME			
TITLE			
Single Unit with Customer Tank and Preheat Tank W TT			
SIZE	CAGE CODE	DRAWING NO.	
Sz	Cge Cd	Drawing No.	
SCALE	Scale	SHEET	Sht OF Total